

# ELOS-8TX

## MAIN FEATURES



### **8\*10/100Base-T Unmanaged Industrial Switches**

**Input Voltage:** DC 12-58V

**Operating Temperature:** -30°C ~ +70°C

**Shell:** IP40 protection, fanless design

**Test Report:** CCC, RoHS, FCC, CE

**Anti-static:** 8KV-15KV

**MTBF:** 100000 Hours

## PRODUCT DESCRIPTION

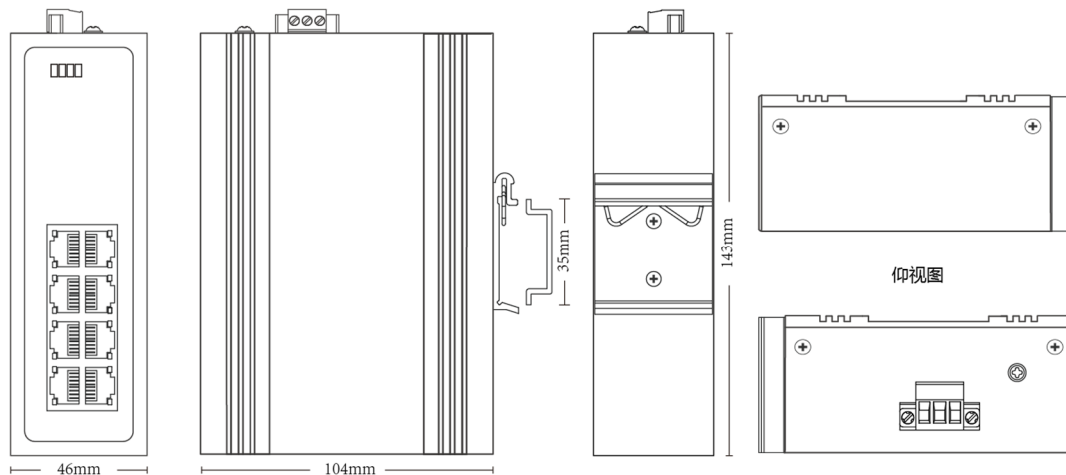
This device 8\*10/100Base-T Industrial Ethernet Switches, PoE is optional. Through the fanless heat dissipation circuit design, wide range of working environment temperature, high protection level and other technologies, it provides excellent industrial quality with high/low temperature resistance and lightning protection and enhances the reliability and safety of industrial networks. The device can be widely applied to various broadband data transmission fields such as intelligent transportation, telecommunications, security, financial securities, customs, shipping, power, water conservancy and oil fields.

# PRODUCT DESCRIPTION

<b>Provider Mode Ports</b>	
Fixed port	8*10/100ase-T
Power interface	Phoenix terminal, dual power supply
LED Indicators	PWR, Link/ACT LED
<b>Cable Type &amp; Transmission Distance</b>	
Twisted-pair	0-100m (CAT5e, CAT6)
Monomode optical fiber	/
Multimode optical fibre	/
<b>Network Topology</b>	
Ring topology	Unsupported
Star topology	Support
Bus topology	Support
Tree Topology	Support
<b>Electrical Specifications</b>	
Input voltage	DC12-58V
Total Power consumption	<5W
<b>Layer 2 Switching</b>	
Switching capacity	1.8G
Packet forwarding rate	1.33Mpps
MAC address table	2K
Buffer	512K
Forwarding delay	<4us
MDX/MIDX	Support
Jumbo frame	2048 Byte
<b>Environment</b>	
Operating temperature	-30°C~ +70°C
Storage temperature	-30°C~ +75°C
Relative humidity	10%~90% (non-condensing)

Thermal methods	Fanless, natural cooling
MTBF	100,000 hours
<b>Mechanical Dimensions</b>	
Product size	46X104X143mm
Installation Method	DIN-rail
Weight	0.65KG
<b>EMC &amp; Ingress Protection</b>	
IP Level	IP40
Surge protection of Power	IEC 61000-4-5 Level 3 (4KV/2KV) (8/20us)
Surge protection of Ethernet port	IEC 61000-4-5 Level 3 (4KV/2KV) (10/700us)
ESD	IEC 61000-4-2 Level 4 (8K/15K)
<b>Authentication</b>	
Authentication	CCC/CE/FCC/RoHS
<b>Box Contents</b>	
Contents	Device, Terminals, Specification, Certificate Adapter(optional)
<b>Optional Model</b>	
ELOS-8TP	8*10/100M RJ45 Port, PoE & PoE+

## SIZE AND APPEARANCE



Front view

Side view

Back view

Top view